

560MM SINGLE BOWL TOPMOUNT LAUNDRY SINK



- **Stainless Steel 18/10 Polished Finish**
- **Designer Straight Line Modern Look Drainer**
- **Easy Clean Corners**

Polished 35 Litre Topmount Laundry Trough /Sink - 560mm

Features

- Deep Single Bowl
- Stainless Steel Sink (Polished Finish)
- 0.8mm AISI304 18/10 Grade Stainless Steel
- Top Mount Design
- 35 Litre Capacity
- Designer Waste & Plug and Laundry Bypass Kit Supplied
- Two 35mm Tap Holes

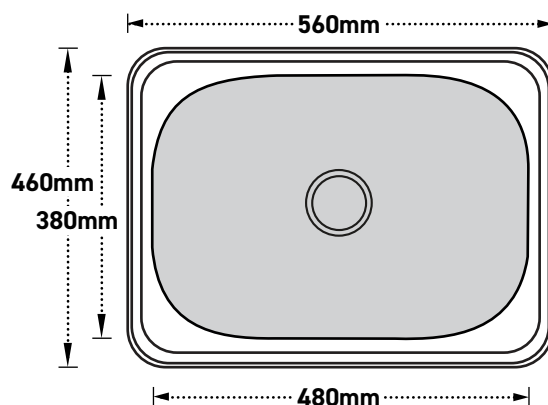
Dimensions

External Dimensions (LxWxD):

560mm x 460mm x 220mm

Bowl Size (LxW):

480mm x 380mm



Available in either left or right hand bowl orientations