
57CM UNDER MOUNT RANGEHOOD



- Massive 1000 m³/h Airflow
- Powerful 320W DieCast Barrell Motor
- Dual 2W LED Lamps

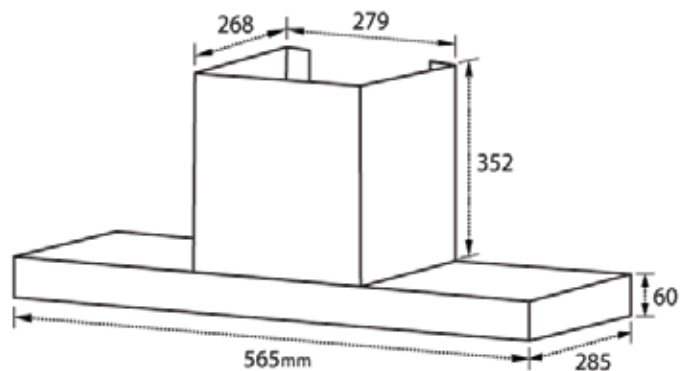
Powerful Integrated Under Mount Rangehood - 565mm

Features

- Sleek Integrated Under Mount Design
- Perfect for 60cm Cabinet
- Classic White Finish Matching Under Cabinetry
- Push Button Controls
- Powerful Die Cast 320w Large Barrel Motor
- Huge 1000m³/h Air Flow
- Triple Speed Fan
- Dual 2.0W LED Lights
- Five Layer Aluminium Filters
- Premium Dishwashable Filters
- 150mm Diameter Outlet

Dimensions (WxDxH):

565mm x 285mm x 412mm



Charcoal filters are sold seperately
(required in re-circulating use)